



## The Future of LED Tennis Court Lighting

### TennisPro LED is the ultimate in LED tennis court floodlighting

Using critically controlled LED lighting arrays the TennisPro LED floodlight produces optimum lighting levels whilst reducing light spillage and glare.

These floodlights are design for use in difficult lighting situations where dark skies compliance and light spillage must be kept to a minimum.

The TennisPro LED floodlight uses soft start technology to reduce the switched load impact and increase component life.

A true retrofit LED floodlight to replace the old style HID metal halide lights.

The TennisPro can offer a dimmable lighting solution to provide full match or practice lighting levels helping to further reduce running costs.

Long life and high reliability with a five year warranty as standard and an expected life of over 50,000hrs.



The TennisPro LED uses multi-optic technology to fine tune the light distribution to provide optimum coverage.

- Energy savings of over 50% can be made when replacing HID floodlights.
- Ultracool system reduces the internal floodlight temperature increasing component life.
- All internal and external fixings are made from stainless steel
- With a High quality powder coat finish and an IP67 rating the TennisPro LED floodlight is prepared for the harshest of environments.



Luminaire Data

Philips Lumileds 5050 LEDs

Colour temperature, 5000k

Voltage, 90 - 305V (230v)

Housing Colour, RAL6007

LED Lumen Output, >170lpw CRI >70

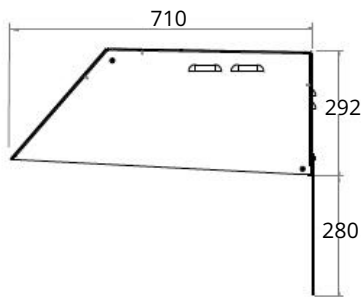
High Power Factor >0.96

High Efficiency >0.95

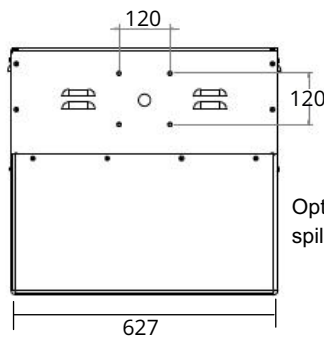
IP67

Typical life expectancy, 50,000hrs

- Uses the latest multi optic technology.
- Ultra High Efficiency LED arrays.
- Temperature / surge & short circuit protected.
- 5 Year Warranty.
- High LED Lighting uniformity.
- Stainless Steel Fixings.
- Strong Corrosion Resistant Aluminium Housing.
- High Quality Powder Coat Finish.
- Dimmable 0v - 10v ( with additional cabling )
- Suitable upgrade for 1 & 2Kw HID floodlights.
- Supplied with a universal mounting bracket.

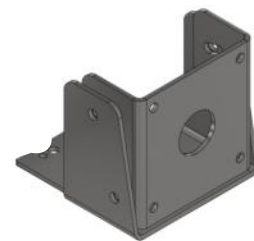


SIDE VIEW



REAR VIEW

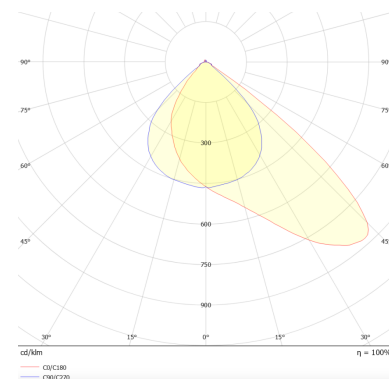
Optional light spillage guard



Universal mounting bracket

Floodlight options :-

- TP750AB - 750w LED >115,200 lumen output, nw - 22.8Kg inc bracket
- TP630AB - 630w LED > 96,000 lumen output, nw - 21.8Kg inc bracket
- TP500AB - 500w LED > 76,800 lumen output, nw - 19.8Kg inc bracket
- TP380AB - 380w LED > 57,600 lumen output, nw - 18.8Kg inc bracket
- TP260AB - 260w LED > 38,400 lumen output, nw - 16.8Kg inc bracket



Polar Intensity Diagram  
Asymmetric beam pattern